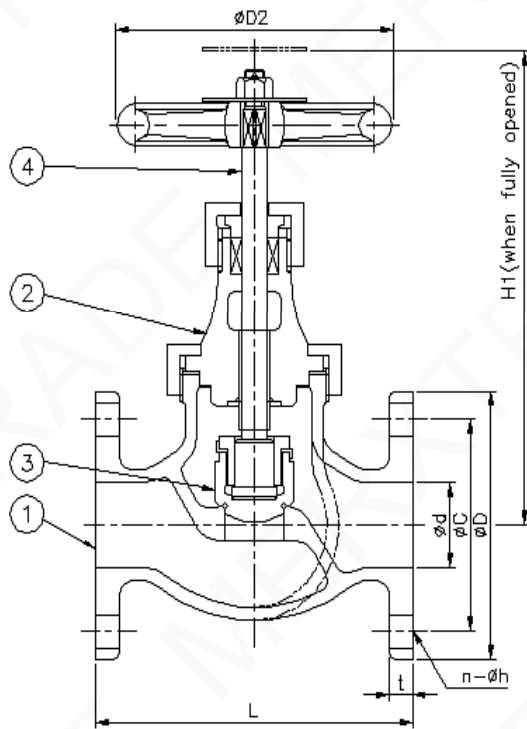


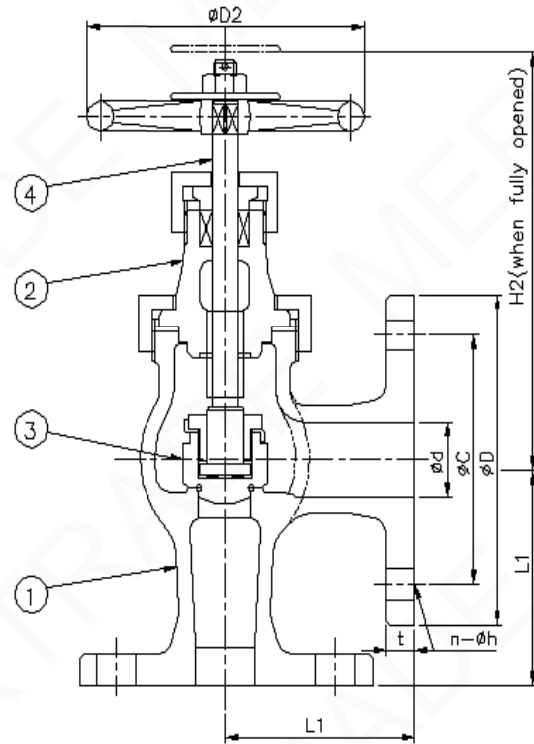
SERIES F 7346 - JIS 5K SERIES F 7347 - JIS 5K
Bronze Globe Valve , Angle Valve - Union Bonnet

Manufactured in accordance to JIS F 7400

Flanges as per JIS B 2240 - 5K



SERIES F 7346 Globe Valve



SERIES F 7347 Angle Valve

Part No.	Material
1 - Body	Bronze
2 - Bonnet	Bronze
3 - Disc	Bronze
4 - Stem	Brass

Test Pressure MPa[Kgf/cm ²]	
Body	1.05 [10.5]
Seat	0.77 [7.7]

SIZE	d	L	L1	D	C	n-h	t	H1	H2	D2	F7346 (Kg)	F7347 (Kg)
015	15	100	55	80	60	4-12	9	155	145	80	2.21	2.15
020	20	110	60	85	65	4-12	10	165	155	100	3.04	2.94
025	25	120	65	95	75	4-12	10	185	175	125	3.97	3.82
032	32	140	80	115	90	4-15	12	195	175	125	5.23	4.99
040	40	160	85	120	95	4-15	12	210	190	140	6.94	6.40